



BLUE AIR

Commercial Refrigeration, Inc.



BACSF10

Chest Freezer
1 Swing Top Solid



www.BLUEAIRinc.com

15001 S. Broadway St., Gardena, CA. 90248

1-866-677-8500/310-808-0102 Fax: 310-808-0242 / 310-808-0262

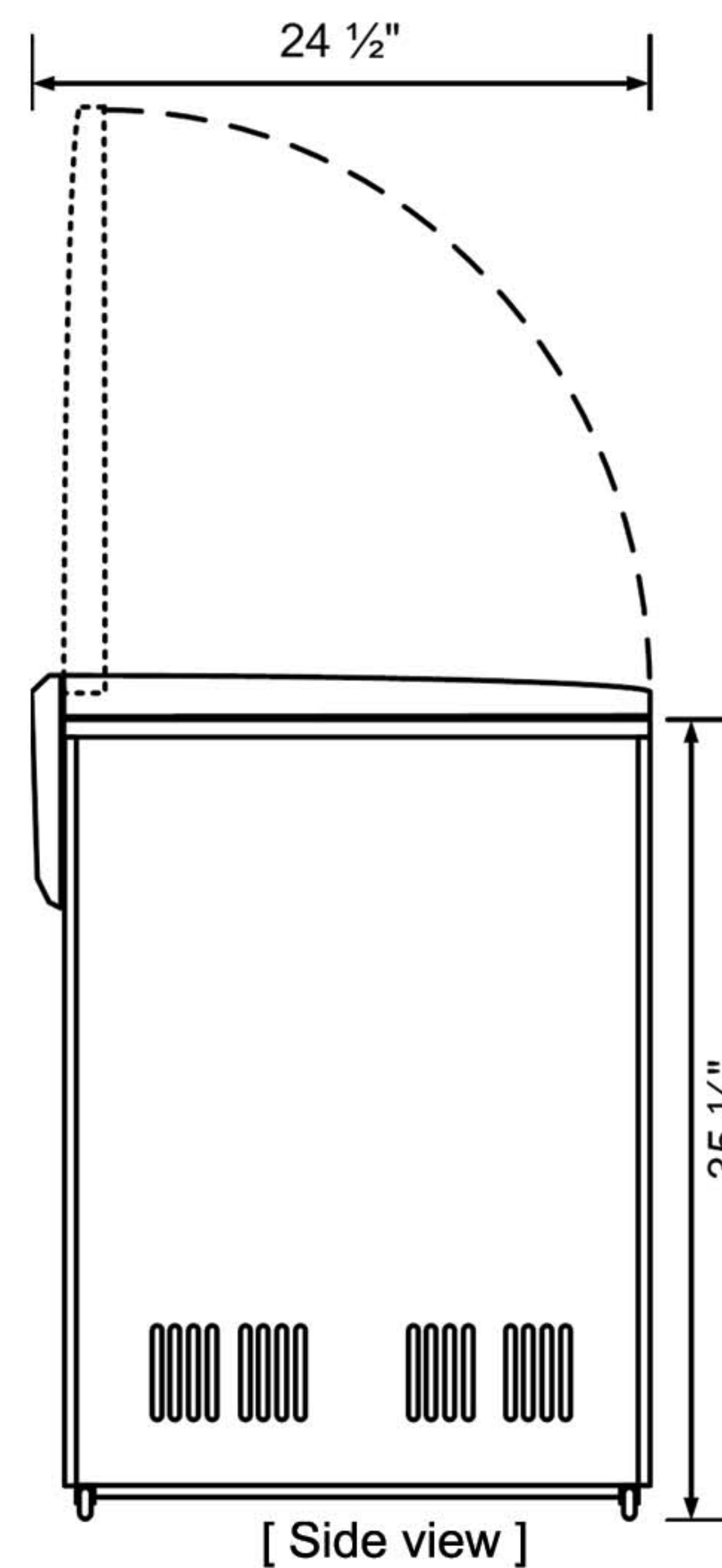
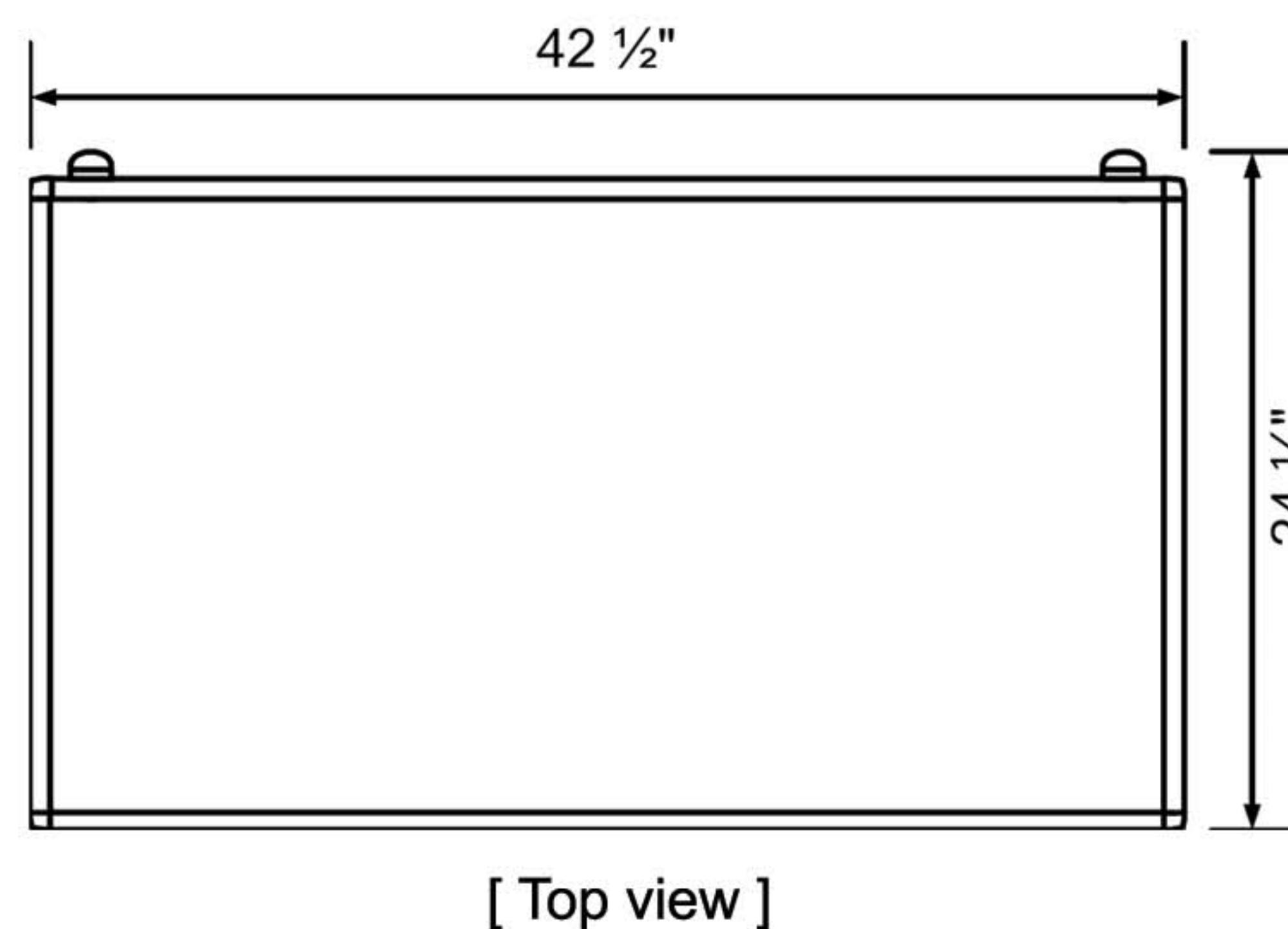
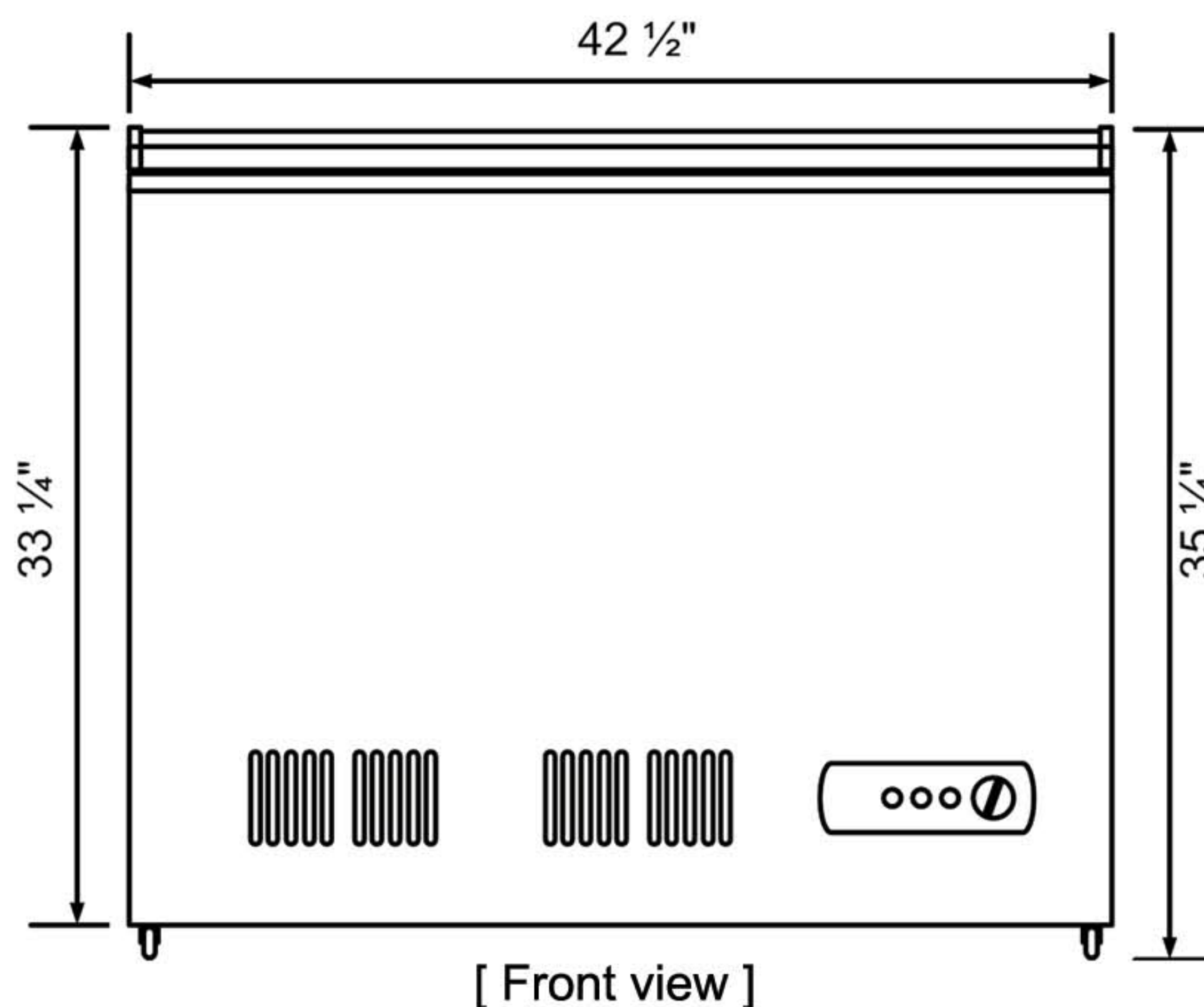
BACSF10

CHEST FREEZER 1 SWING TOP SOLID DOOR

MODEL NAME	BACSF10
PRODUCT DESCRIPTION	Freezer
DOOR	1 Swing Top Solid
EXTERIOR(W X D X H)	42 ¹ / ₄ " x 24 ¹ / ₄ " x 35 ¹ / ₄ "
CAPACITY(Cu. Ft.)	10 Cu. Ft.
NET WEIGHT(lbs)	117 lbs
POWER	115V / 60 Hz
COMPRESSOR	1/5 Hp
AMPS	2.6 A
OPERATION TEMPERATURE	Below 0 °F
REFRIGERANT	R-134A
POWER CORD	9.8 Ft
BASKET	1

* BLUE AIR has the right to change specifications without further notice.

- **Heavy duty, durable, and easy to clean aluminum interior.**
- **Epoxy-coated white basket to keep smaller items in place.**
- **Adjustable temperature control to maintain your food at the temperature you select.**
- **Quick and easy installation by simple plug-in.**
- **2¹/₂" of wall insulation with energy-efficiency.**
- **Environmentally friendly CFC-free R-134A refrigerant .**
- **Thermostat controlling plate for easy temperature setting.**
- **Spring hinge for easy opening of the door equipped with stopper for safe handling.**



WARRANTY

12 Months Parts and Labor,
5 Years on Compressor in USA

[www. BLUEAIRinc.com](http://www.BLUEAIRinc.com)

