

KOLDPIA



KPSR1

Reach-In
Solid 1 Door
Top Mount
Refrigerator



[www. BLUEAIRinc.com](http://www.BLUEAIRinc.com)

15001 S. Broadway St., Gardena, CA. 90248
1-866-677-8500/310-808-0102 Fax: 310-808-0242 / 310-808-0262

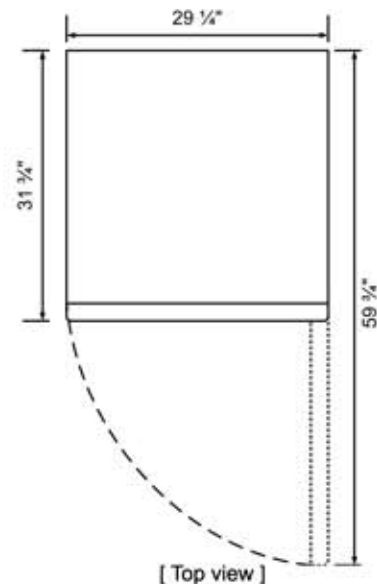
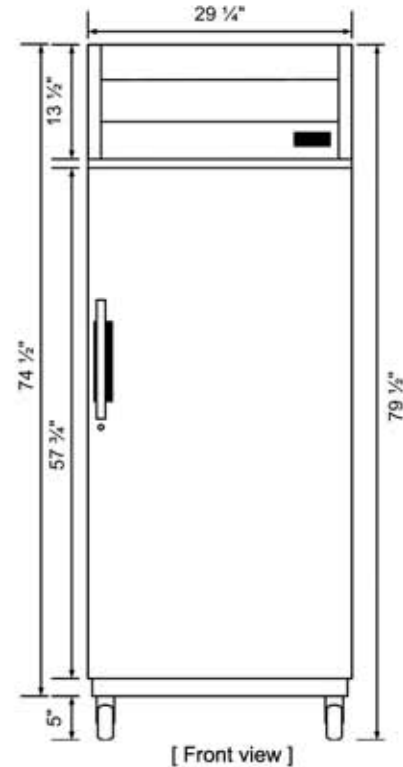
KPSR1

REACH-IN SOLID 1 DOOR TOP MOUNT REFRIGERATOR

MODEL NAME	KPSR1
PRODUCT DESCRIPTION	Refrigerator
DOOR	1 Swing Door
EXTERIOR(W X D X H)	29 ¹ / ₄ " x 31 ³ / ₄ " x 74 ¹ / ₂ "
INTERIOR(W X D X H)	24 ³ / ₈ " x 27 ⁵ / ₈ " x 56 ³ / ₈ "
CAPACITY(Cu. Ft.)	21 Cu. Ft.
NET WEIGHT(lbs)	295 lbs
POWER	115V / 60 Hz
COMPRESSOR	1/4 Hp
AMPS	3.8 A
OPERATION TEMP.	32 ~40 °F
REFRIGERANT	R-134A
POWER CORD	9.8 Ft
PLUG-IN INSTALLATION	NEMA5-15P
SHELVES	4

* BLUE AIR has the right to change specifications without further notice.

- *Stainless steel exterior (400 series) and interior (304 series) for long life and durability.*
- *Automatic interior lighting.*
- *4 Heavy duty epoxy coated shelves per section mounted on stainless steel pilasters.*
- *Top-mounted refrigeration system for superior performance.*
- *Automatic evaporation.*
- *5" Swivel casters with brakes for the front.*
- *2.5" of insulation with energy-efficiency.*
- *Hinged panel allows for easy servicing.*
- *High efficiency refrigeration system.*
- *Digital controls to maintain optimum temperature.*
- *Door locks are standard.*
- *Eco-friendly CFC-free R-134A Refrigerant.*
- *Automatic electric defrost.*



WARRANTY

12 Months Parts and Labor,
5 Years on Compressor in USA

[www. BLUEAIRinc.com](http://www.BLUEAIRinc.com)



15001 S. Broadway St., Gardena, CA. 90248

1-866-677-8500/310-808-0102 Fax: 310-808-0242 / 310-808-0262