

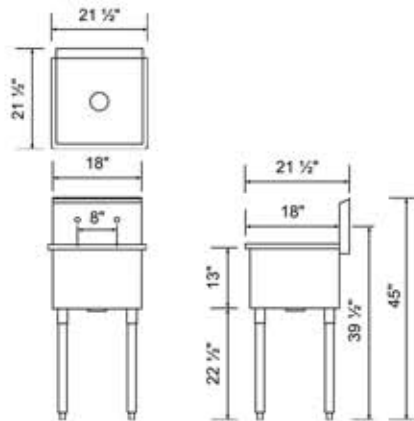
# 1 COMPARTMENT SINKS

COMMERCIAL STAINLESS STEEL 1 COMPARTMENT SINKS

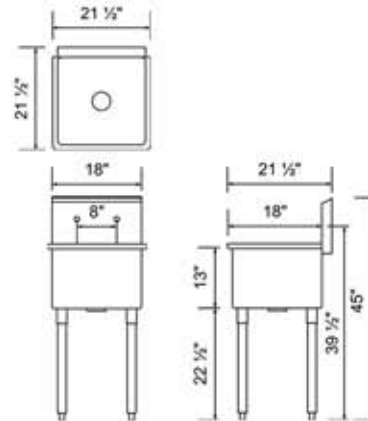
MODEL	PRODUCT	OVERALL SIZE(WxDxH)	BOWL SIZE(WxDxH)	WEIGHT(lbs)
BSM-18	Mop Sink(18x18)	21 1/2"x21 1/2"x45"	18"x18"x13"	31
BSP-18	Prep Sink(18x18)	21 1/2"x21 1/2"x45"	18"x18"x13"	31
BS1-18/L	1 Compartment 1 Right Drain Board	39"x24"x44 1/2"	18"x18"x11"	42
BS1-18/R	1 Compartment 1 Left Drain Board	39"x24"x44 1/2"	18"x18"x11"	42
BS1-18/2D	1 Compartment 2 Drain Boards	54"x24"x44 1/2"	18"x18"x11"	50

\* BLUE AIR has the right to change specifications without further notice.

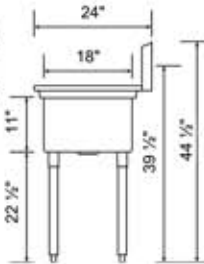
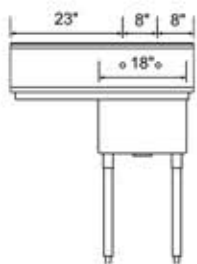
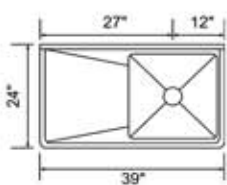
BSM-18



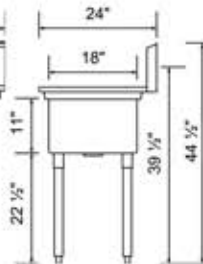
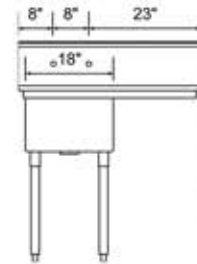
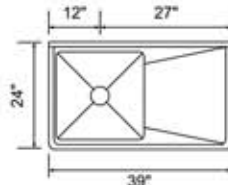
BSP-18



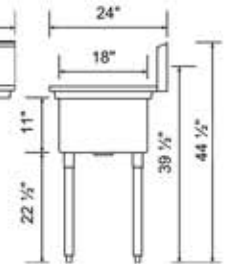
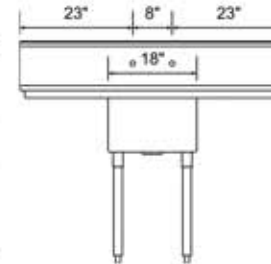
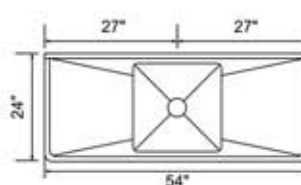
BS1-18/L



BS1-18/R



BS1-18/2D



[www. BLUEAIR inc.com](http://www.BLUEAIR inc.com)