

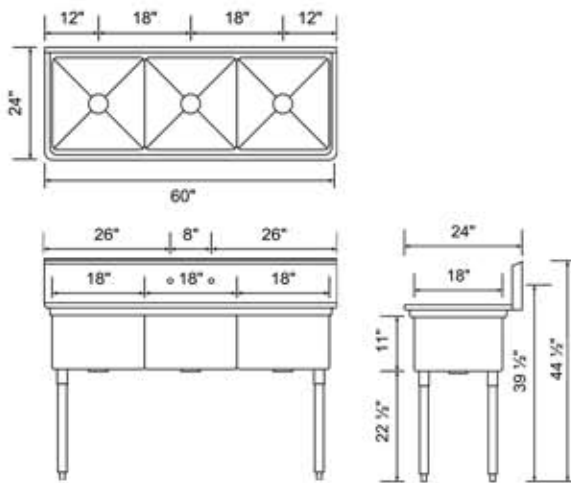
3 COMPARTMENT SINKS

COMMERCIAL STAINLESS STEEL 3 COMPARTMENT SINKS

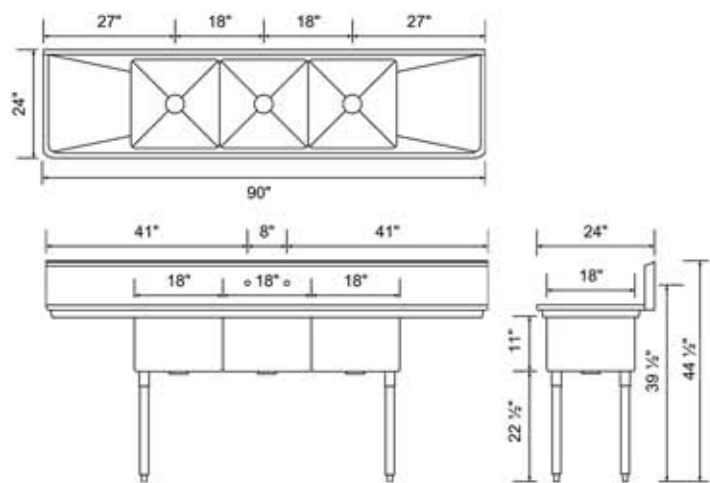
MODEL	PRODUCT	OVERALL SIZE(WxDxH)	BOWL SIZE(WxDxH)	WEIGHT(lbs)
BS3-18/N	3 Compartment No Drain Board	60"x24"x44 1/2"	18"x18"x11"	72
BS3-18/R	3 Compartment 1 Right Drain Board	75"x24"x44 1/2"	18"x18"x11"	81
BS3-18/L	3 Compartment 1 Left Drain Board	75"x24"x44 1/2"	18"x18"x11"	81
BS3-18/2D	3 Compartment(18x18) 2 Drain Boards	90"x24"x44 1/2"	18"x18"x11"	85

* BLUE AIR has the right to change specifications without further notice.

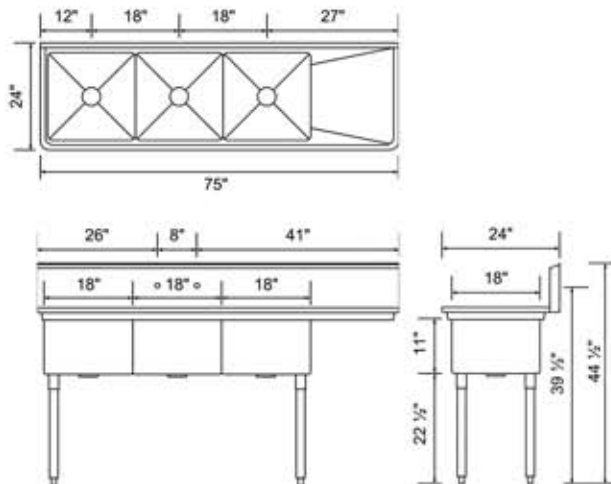
BS3-18/N



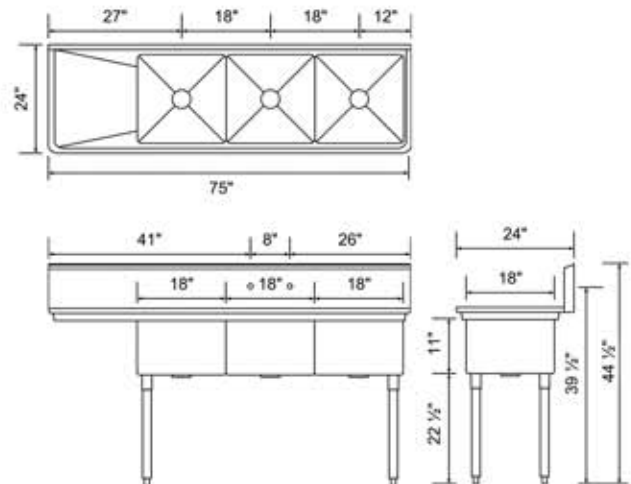
BS3-18/2D



BS3-18/R



BS3-18/L



www.BLUEAIRinc.com