

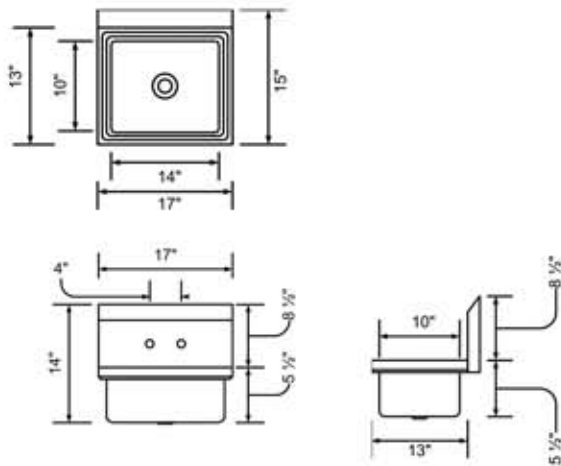
HAND SINK & SINKS

COMMERCIAL HAND SINK & SINKS(24X24)

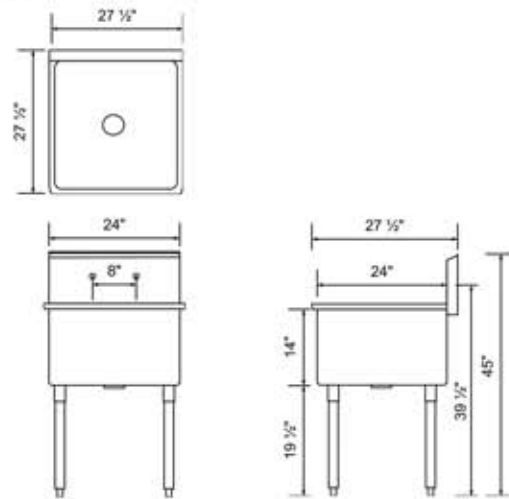
MODEL	PRODUCT	OVERALL SIZE(WxDxH)	BOWL SIZE(WxDxH)	WEIGHT(lbs)
BSH-14	Hand Sink	17"x15"x14"	10"x14"x5 1/2"	15
BSP-24	Prep Sink(24x24)	27 1/2"x27 1/2"x45"	24"x24"x14"	40
BS3-24/2D	3 Compartment(24x24) 2 Drain Boards	120"x30"x44 1/2"	24"x24"x14"	117

* BLUE AIR has the right to change specifications without further notice.

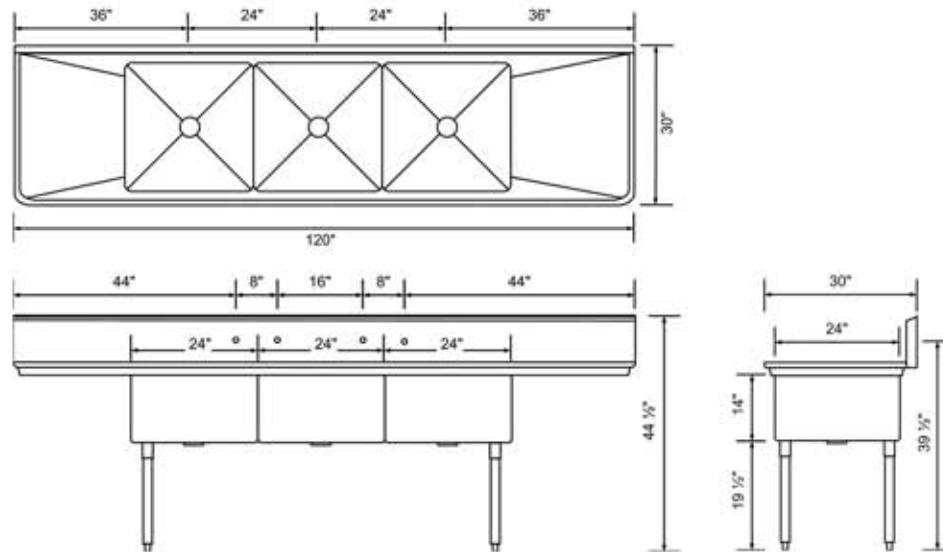
BSH-14



BSP-24



BS3-24/2D



[www. BLUEAIR inc.com](http://www.BLUEAIR inc.com)