



BLUE AIR
Commercial Refrigeration, Inc.

WALL SHELVES



WORK TABLES



EQUIPMENT STANDS



[www. BLUEAIRinc.com](http://www.BLUEAIRinc.com)

15001 S. Broadway St., Gardena, CA. 90248

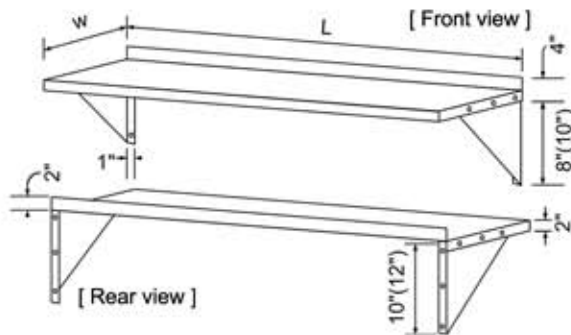
1-866-677-8500/310-808-0102 Fax: 310-808-0242 / 310-808-0262

WALL SHELVES / WORK TABLES / EQUIPMENT STANDS

COMMERCIAL WALL SHELVES

MODEL NAME	Dimension (WxL)	Weight(lbs)	Remark
WS 1224	12" x 24"	12	2 Brackets
WS 1236	12" x 36"	15	2 Brackets
WS 1248	12" x 48"	18	2 Brackets
WS 1260	12" x 60"	20	2 Brackets
WS 1272	12" x 72"	24	3 Brackets
WS 1296	12" x 90"	30	3 Brackets
WS 1424	14" x 24"	14	2 Brackets
WS 1436	14" x 36"	17	2 Brackets
WS 1448	14" x 48"	20	2 Brackets
WS 1460	14" x 60"	25	2 Brackets
WS 1472	14" x 72"	28	3 Brackets
WS 1496	14" x 96"	36	3 Brackets

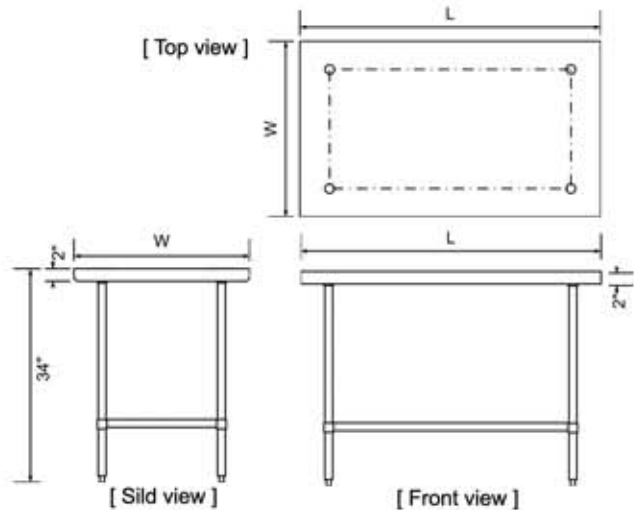
* BLUE AIR has the right to change specifications without further notice.



COMMERCIAL WORK TABLES

MODEL NAME	DIMENSIONS(WxLxH)	WEIGHT(lbs)
EW2424	24" x 24" x 34"	40
EW2430	24" x 30" x 34"	46
EW2436	24" x 36" x 34"	51
EW2448	24" x 48" x 34"	62
EW2460	24" x 60" x 34"	73
EW2472	24" x 72" x 34"	82
EW2496	24" x 96" x 34"	104
EW3030	30" x 30" x 34"	52
EW3036	30" x 36" x 34"	60
EW3048	30" x 48" x 34"	69
EW3060	30" x 60" x 34"	81
EW3072	30" x 72" x 34"	92
EW3096	30" x 96" x 34"	115

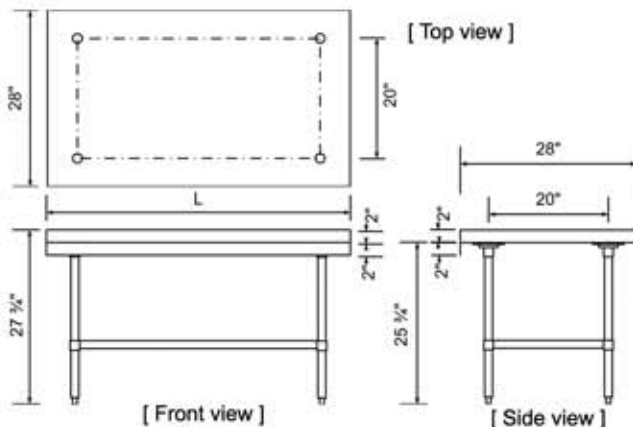
* BLUE AIR has the right to change specifications without further notice.



HEAVY DUTY EQUIPMENT STANDS

MODEL NAME	DIMENSIONS(WxLxH)	WEIGHT(lbs)
ES2812	28" x 12" x 25 3/4"	34
ES2824	28" x 24" x 25 3/4"	41
ES2836	28" x 36" x 25 3/4"	57
ES2848	28" x 48" x 25 3/4"	70
ES2860	28" x 60" x 25 3/4"	83

* BLUE AIR has the right to change specifications without further notice.



- **Top** : Stainless steel with high quality
- **Legs** : Stainless steel leg sockets, Galvanized steel legs with 1" adjustable Plastic Bullet Feet
- **Under shelf** : Galvanized steel with attachable under shelf to legs for strong durability
- **High Polish finish**
- **Easy to assemble,**
- **Under-shelf location is adjustable**



[www. BLUEAIRinc.com](http://www.BLUEAIRinc.com)